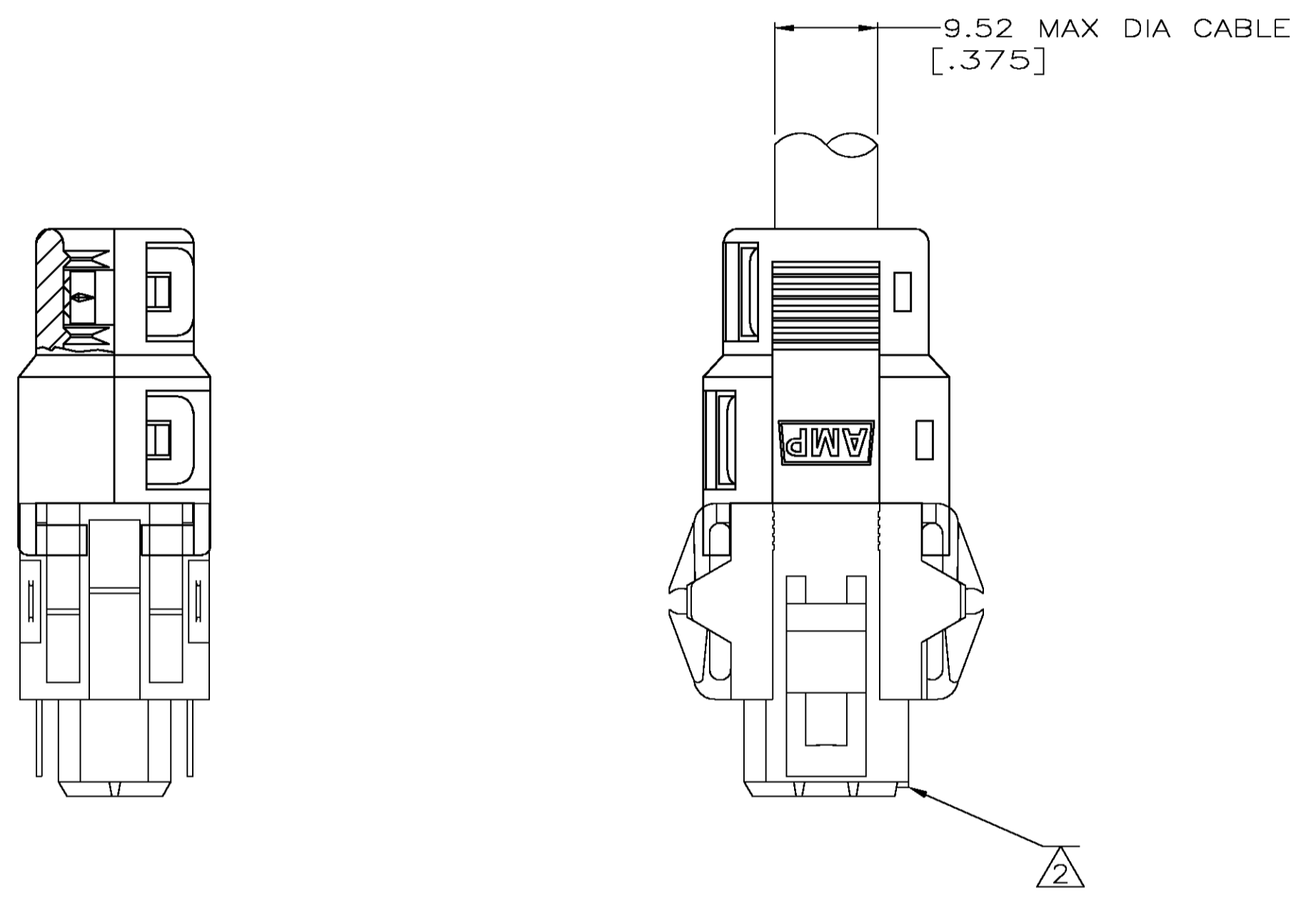
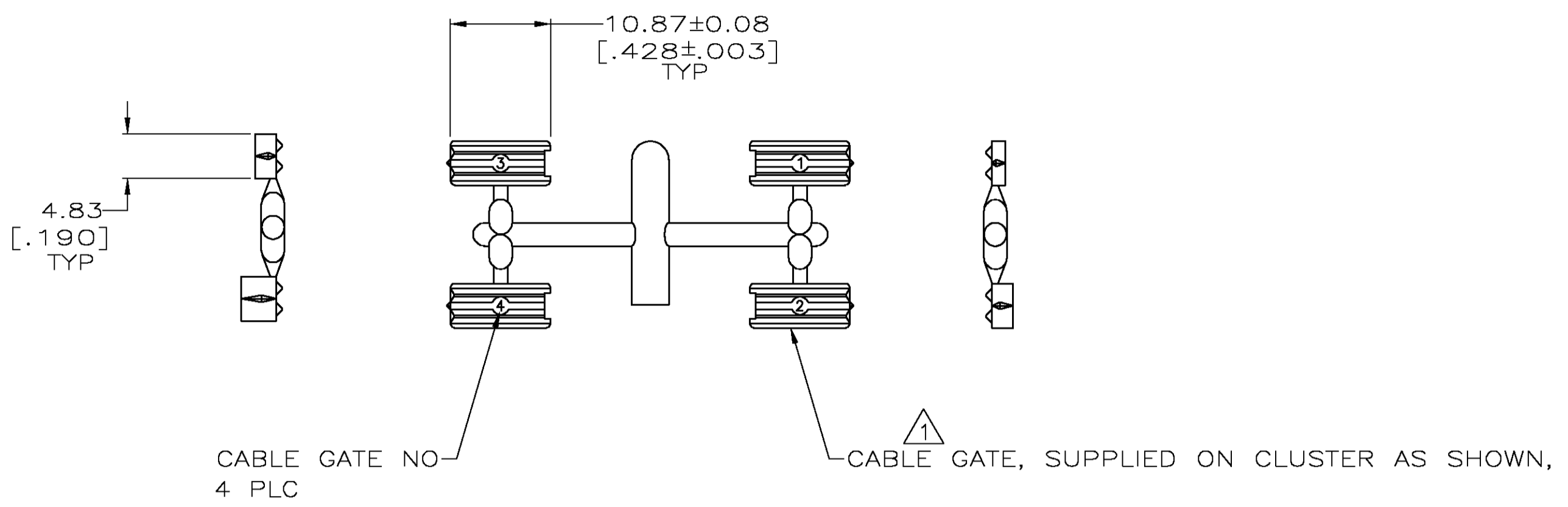
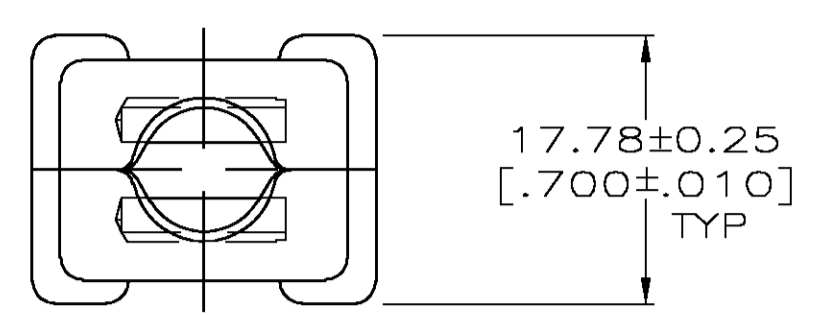
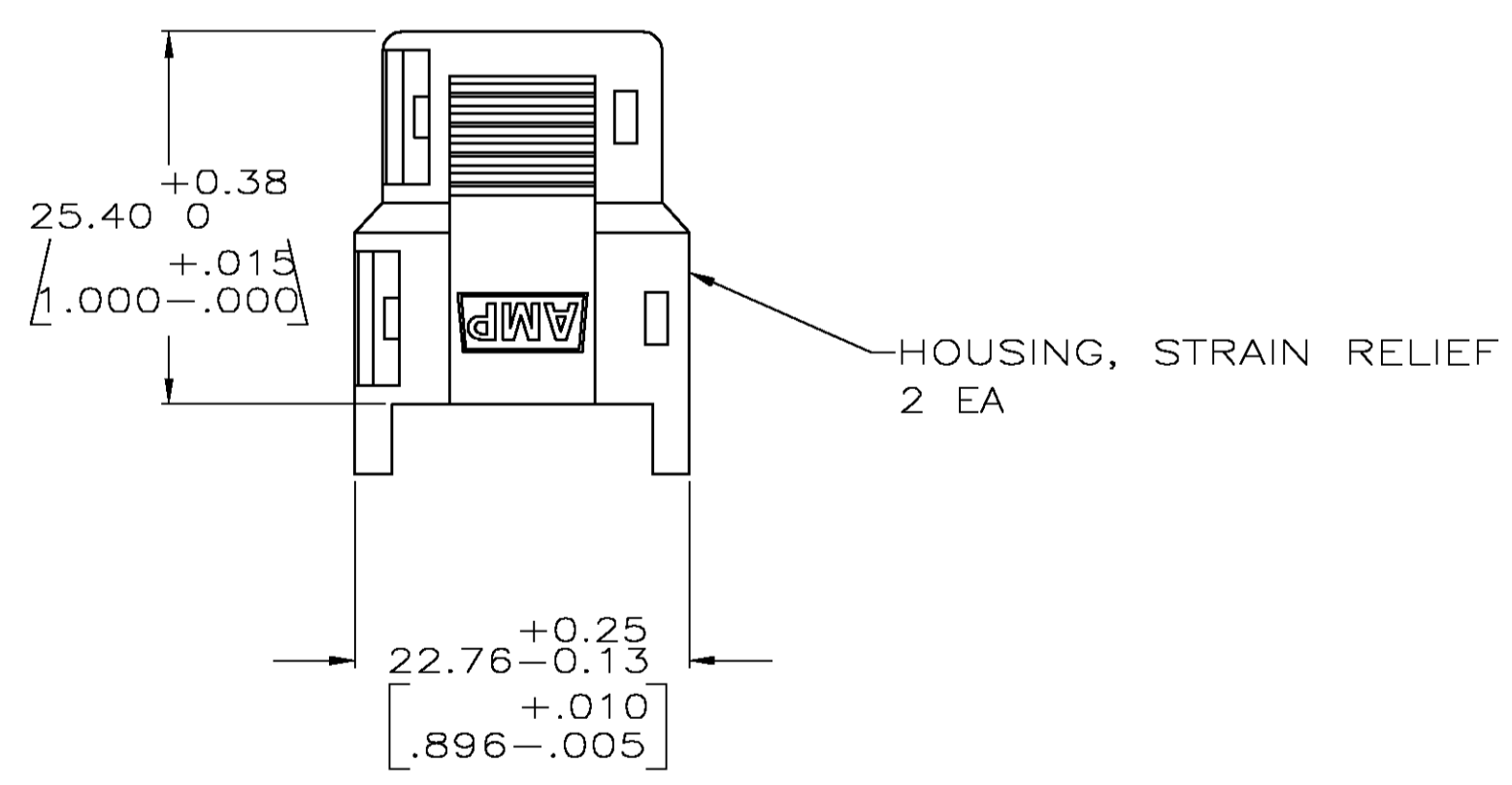
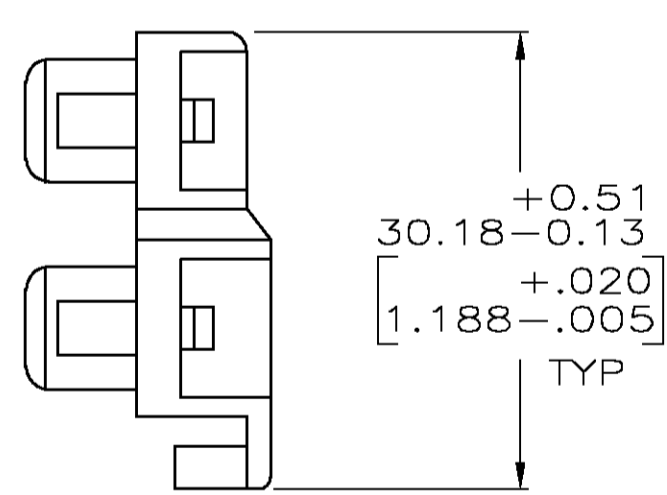
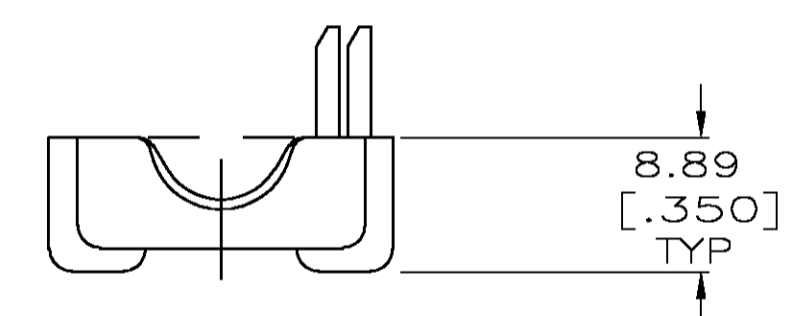


LOC		DIST		REVISIONS			
F	LTR	DESCRIPTION	DATE	DNW	APVD		
F		REVISED PER 063B-1122-04	12/1/04	SS	GS		



ASSEMBLED VIEW



- ▲ A VARIETY OF CABLE GATES ARE PROVIDED TO ACCOMMODATE A VARIETY OF CUSTOMER CABLE SIZES.
- ▲ PLUG SHOWN FOR REFERENCE ONLY, STRAIN RELIEF CAN BE USED ON EITHER PLUG OR RECEPTACLE.

207600-1
PART NUMBER

THIS DRAWING IS A CONTROLLED DOCUMENT.		DNW J. McCLINTON 1-28-92	 Tyco Electronics Corporation Harrisburg, Pa 17105-3608
DIMENSIONS: INCHES		CHK R. STONE 1-29-92	
TOLERANCES UNLESS OTHERWISE SPECIFIED:		APVD -	NAME
0 PLC ± -	PRODUCT SPEC	STRAIN RELIEF KIT, UNASSEMBLED, 6 POSITION, METRIMATE	
1 PLC ± -	APPLICATION SPEC	108-10033	
2 PLC ± ± 0.13(.005)	SIZE	CAGE CODE	DRAWING NO
3 PLC ± -	RESTRICTED TO	A1	00779
4 PLC ± -	WEIGHT	C=207600	
ANGLES ± -	CUSTOMER DRAWING	SCALE	2:1
FINISH -	SHEET	1	OF 1
	REV	F	